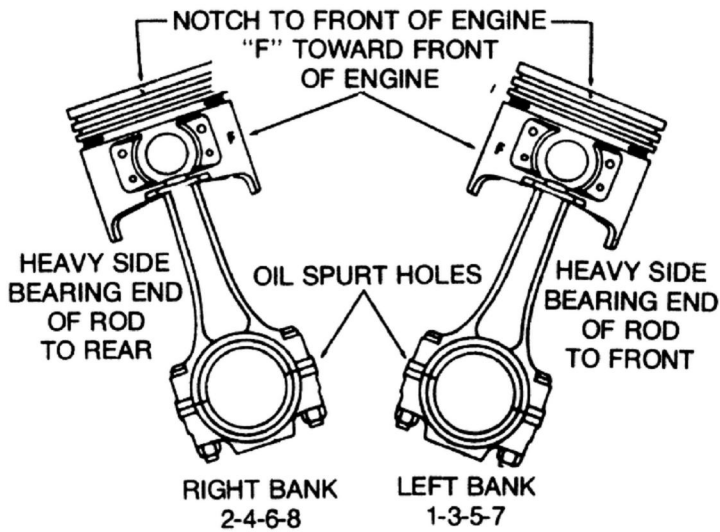


## Duct Tape is Not the Answer! Auto Repair Reference is!



Do you enjoy working on your car? Do you enjoy working on other people's cars? Perhaps you do not enjoy working on cars at all, but due to factors beyond your control you have no choice. In any event, you will be pleased to learn that you now have easy access to current, detailed information on auto repair and maintenance.

Thanks to a recent acquisition by the library, citizens of Tillamook County no longer have to comb through the library's entire collection of print repair manuals to find the one that meets their needs. In fact, using their library cards, they can even access the information they need from the comfort of their own home. A simple search of the *Auto Repair Reference Center* will bring them directly to the service information for the make, model and year of the automobile of their choice.

*Auto Repair Reference Center* contains information on most major manufacturers of domestic and imported vehicles, with repair information for most vintage makes starting as far back as 1945. It includes approximately 26,000 vehicles covered from 1945 to present; over 150,000 factory drawings and step-by-step photographs; approximately 70,000 technical service bulletins and recalls issued by the original equipment vehicle manufacturer; over 100,000 enhanced wiring diagrams for easy viewing and printing; and a complete guide to vehicle ownership and maintenance.

You can start using the *Auto Repair Reference Center* at the library or from any computer hooked up to the internet. At the library simply ask a friendly staff member for instructions. From home go to the library's website [www.tillamook.info](http://www.tillamook.info), click on **eShelf & Research**, select **Magazines and Research Databases**. Look for the link to the [Auto Repair Manuals](#), click it, enter your library card number and you are ready to go. For more information on accessing this useful and time-saving resource, please contact the Tillamook County Library at 503-842-4792. Good luck!

## July Library Events

**July 4:** Independence Day, all libraries will be closed

**July 10:** Steve Taylor the Magical Ventriloquist will give a performance from 2-3 p.m. at the main library (ages 6-12)

**July 16:** Join the fun with Buggy Crafts at the main library from 2-3 p.m. Registration starts July 7<sup>th</sup> at the check out desk. Space is limited. (ages 6-12)

**July 20:** 39<sup>th</sup> Anniversary of man's first landing on the moon. On July 20, 1969, Neil Armstrong and Edwin Aldrin, Jr. landed the Eagle lunar module at 4:17 p.m. Eastern Daylight Time.

**July 26:** Cow Appreciation Day. While not an official national holiday, for the past 25 years July 26<sup>th</sup> has been the best day to be a Jersey cow living in Vermont.

**July 30:** Looking for some summer fun? Creating Edible Bugs at the Main library from 2-3 p.m. Registration starts July 21<sup>st</sup> at the check out desk. Space is limited. (ages 6-12)


## Basic Computer Classes at Tillamook County Library

The Tillamook Library is now offering basic computer classes. If you want to learn how to use a mouse or need help getting your own e-mail address, the library has a class for you. Each session is set up on a one-on-one basis with a reference librarian so you can learn at your own pace and comfort level. Call and make an appointment for one of our 30-45 minute sessions.

Whether it is filling out an online job application, writing a small business proposal or learning more about Veteran's benefits, basic computer literacy is a valuable skill.

If you find yourself intimidated by computers or are just looking for a place to start, our Basic Computer Classes can help. The classes build on skills learned in previous sessions and are

meant to be completed in successive order. Please begin with our Mouse Skills class if you have never used a computer or are not comfortable using a mouse. Classes are held Friday mornings 9-12

### Class List:

- Basic Mouse Skills
- Basic Internet Skills
- Basic Internet Search Skills
- Setting-up and Sending E-mail (Yahoo)
- Adding Attachments to E-mail
- Using the Library Catalog and Other Online Patron Services

Classes are held every Friday from 9a.m.-12p.m. Please call 503-842-4792 to schedule your class time and date. Call today, classes fill up fast!

### Staff's Choice! *Name All the Animals*



I commute from Beaver to my job at the Rockaway Library and like to listen to books on tape or CD as I drive back and forth. Recently I checked out Alison Smith's *Name All the Animals*, read by the author. I like memoir and the cover seemed to promise several different themes. I wasn't disappointed!

There's the tragic, loss of a beloved older brother, Roy, when Smith is only 15, followed by the unspoken grief suffered by sister, mother, and father. There's the open and honest telling of her first love for another student at Our Lady of Mercy

School for Girls. It's uplifting, a bit sad, and without a predictable ending to their forbidden love affair. And, finally, there's the supportive, loving relationship between Smith's mom and dad that seems to hold this family together during the worst of times.

All of this is told in rich, descriptive, emotionally filled language. I highly recommend it!

### Staff Profile: Charlotte Forster



Hi, I am Charlotte Forster, lead librarian for the Manzanita branch since 1995. I have called Tillamook County home for 30 years now; helping my husband Bob manage our farm outside of Nehalem. We have three grown children, Rob, Andy & Elizabeth, 2 dogs Chewie & Midget, 53 adult Herefords and, so far, 29 baby calves.

I have a passion for books and the concept of library. Spending my afternoons as Manzanita's librarian blends perfectly with mornings spent farming. I love helping patrons find the perfect book, answering their questions and helping youngsters develop a lifelong love of reading. That spark is awesome.

The Manzanita branch library is tucked securely in a vibrant coastal community. The Friends group, who own this building, are involved and passionate about their library. They are a delight to work with. The Manzanita library is a lively place, our monthly circulation usually second only to the Main branch in Tillamook. We have lovely local art displays that rotate monthly and summer reading is in full swing.



### Volunteer opportunities at the Tillamook County Library System

When you share your time and talent at your local library you make a positive impact on your community. Whether it is shelving books, reading shelves or assisting with special projects, your service makes a difference.

If you would like to become a volunteer contact your local Tillamook County Library today.

Tillamook:	503-842-4792
Bay City:	503-377-0231
Garibaldi:	503-322-2100
Rockaway:	503-355-2665
Pacific City:	503-965-6163
Manzanita:	503-368-6665